

Habitat Screen™ Installation Instructions

If nothing else, at least read this page!

Talius has been producing retractable screens since 1998 and in that time we have found that most issues experienced are related to the product installation. It is essential to follow the installation guidelines. We urge installers to take the time now to read the instructions and avoid costly, time-consuming problems later. It is only necessary to read through a small fraction of this booklet as it covers all types of Habitat Screen installations. At the beginning of each section the booklet will point out if the section can be skipped.

Habitat Screens ship with the screen curtain inside the panel box. This is to facilitate simple installation and save time. We hope that this installation guide is easy to use. Should you discover an error or an omission please tell us about it. Parts and options change continually so we are updating all the time.

Should you require any support or have any questions, please call us from site: 800-665-5550
(M-F 8am to 4:30pm PST)

We thank you for putting your trust in us.

Sincerely,

Your Talius Customer Service Team



Contents

Parts Overview	■ Common Components
Section 1	■ Opening Criteria
Section 2	■ Mounting Methods
Section 3	■ Preparation for Through Wall Operator Applications
Section 4	■ Pre-Drilling Guide Rails
Section 5	■ Mounting Rails and Panel Box
Section 6	■ Installing the Operator
Section 7	■ Limit Setting for Motorized Units
Section 8	■ Securing the Panel Box
Section 9	■ Operation and Adjustment
Section 10	■ Finishings
Appendix A	■ Habitat Screen Adjustment Guide - Final Adjustments to ensure smooth operation

RECOMMENDED INSTALLATION TOOLS AND MATERIALS

Each Habitat Screen installation requires a minimum of 2 installers. Not all installations are the same. While the following items will not be required on every installation, this is a list of minimum requirements that we recommend for the majority of Habitat Screen installations. While we do not supply common tools and hardware, contact us to purchase the specialized tools like motor tester cables.

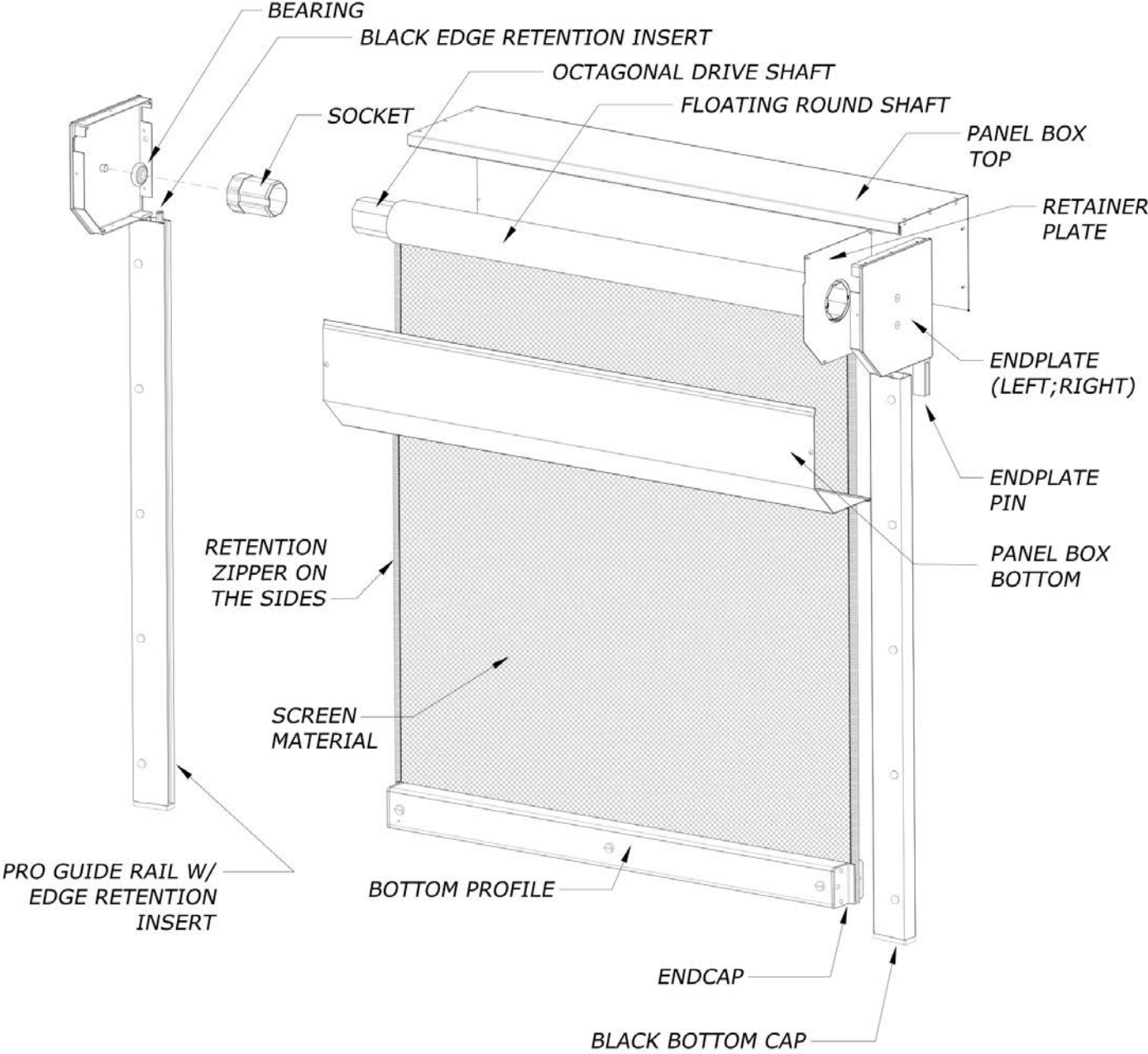
❗ **Talius does not supply the fasteners for installation. We believe this is better handled by the Talius Dealer, based on the on-site construction considerations.**

- Level 4', tape measure, markers
- Cordless drill, indexed drill bit set, multi driver set
- Full screwdriver set, multi-driver set
- Needle-nose pliers, regular pliers
- Allen key set (metric)
- Rivet gun, variety of spare rivets
- Hacksaw, razor knife
- Extension cords, cleansers, rags
- Wood and concrete chisels, hammer
- Tin snips, file
- Side cutters, wire strippers
- Masonry drill or ½" hammer drill
- Long Ø½" (13mm) and Ø¾" (19mm)
- Drill bits
- Block of wood
- 035-.040"(0.9 - 1.0mm) feeler gauge
- Caulk gun, caulking and sealants
- Putty knife
- Spare screws
- Tubular motor limit combs / adjusters
- Electrical tape, masking and duct tape
- Short and tall ladders, tool pouch
- Spare lag bolts, masonry anchors

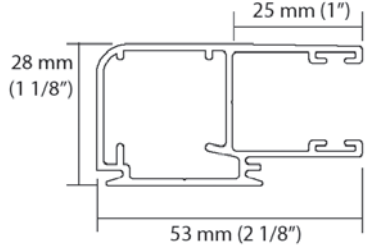
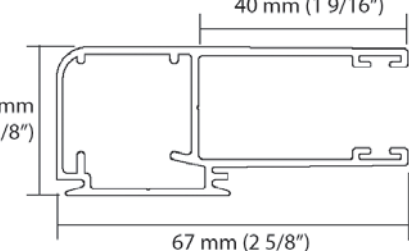
Available from Talius:

- Plastic caps for screw holes
- Touch-up paint and brushes: brown, white, silver, beige, and black
- Ø8.5mm/Ø5mm step drill bit
- Ø10mm/Ø5mm step drill bit
- Tubular motor tester cable

Parts Overview



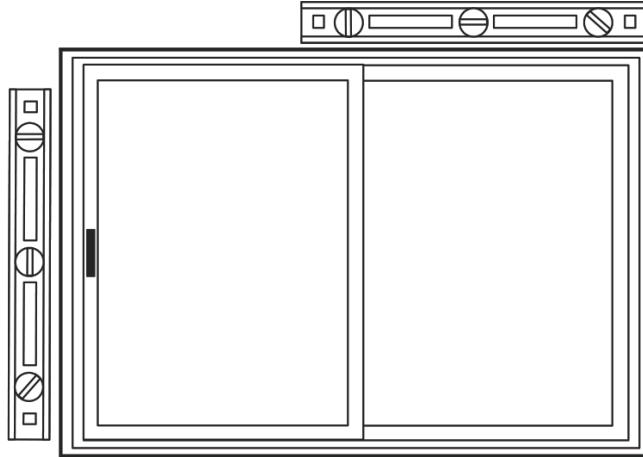
Guide Rails

<p>PRO</p> <p>Includes ¼" (6.5mm) build-up</p> <p>For curtain widths under 6' (1.83m) on general exterior applications, and for widths under 10' (3.05) on general interior applications.</p> <p>For applications requiring increased wind protection select the PRO-40</p>	
<p>PRO-40</p> <p>Includes ¼" (6.5mm) build-up</p> <p>For increased wind load protection.</p> <p>Should generally be chosen when curtain widths exceed 6' (1.83m) on exterior applications, and for widths over 10' (3.05m) on interior applications.</p>	

Section 1

OPENING CRITERIA

Ensure that the opening is square and level. The Habitat Screen™ must be mounted as follows:



1.1 Panel Box and Shaft

The shaft must be level. This is the most critical part of this installation. It may not be sufficient for the bubble of the level to simply be between the lines. The bubble of the level should be centered perfectly between the lines and a quality 4' or longer level should be used to confirm this. If the shaft is not level the Habitat Screen will experience tracking problems and the curtain may appear to have excessive wrinkles. Note that the shaft is not necessarily aligned perfectly with the panel box so it's best to level the unit based upon the shaft.

1.2 Guide Rails

Both guide rails must be mounted plumb and true with equal spacing between from top to bottom. If they are not, the Habitat Screen will billow excessively or bind during operation.

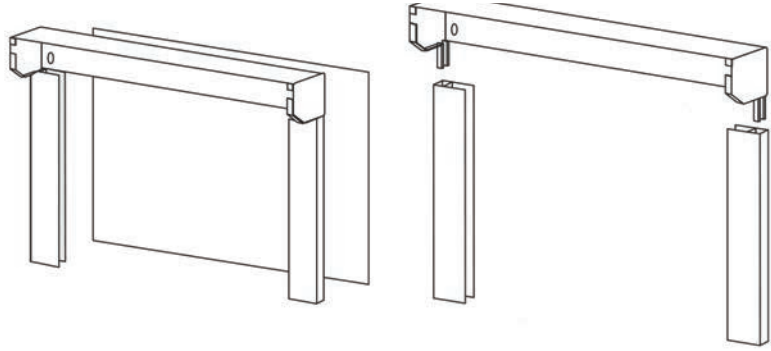
1.3 Sill

The sill or floor may have a slope, especially if installing on the side elevation of a deck. The shaft must remain level regardless of floor, sill, or header conditions. You may decide to cut the guide rails at unequal lengths in order to accommodate the resulting difference from side to side. One option to consider is the option of adding Bug Brush to the bottom profile which can seal off the gap that can occur under the bottom profile of the curtain in this case.

Section 2

MOUNTING METHODS

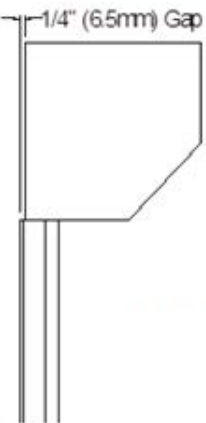
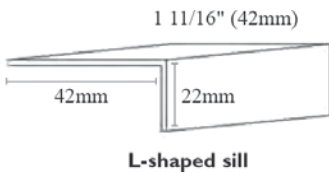
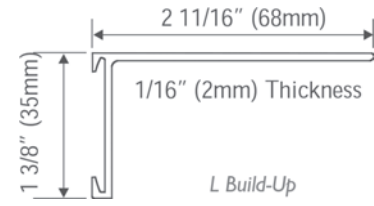
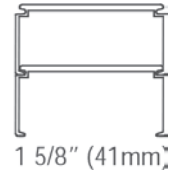
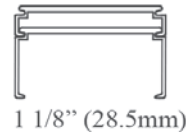
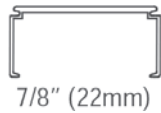
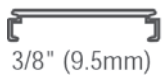
Insert the panel box endplate legs temporarily into the guide rails.



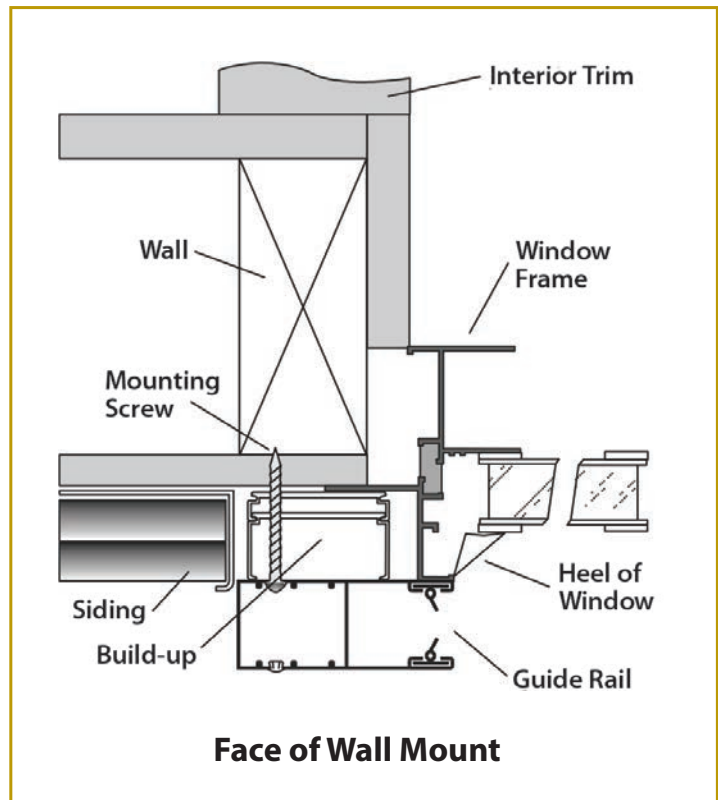
2.1a) Face of Wall Mounting

Hold the unit against the opening and determine the future fit. It is important to ensure that there is an even plane on which to mount the Habitat Screen. Face of Wall mounted Habitat Screens come with 7/8" build up for the guide rails and panel box top to allow for bottom profile clearance. Various additional extruded build-up materials can be used to achieve such an even surface (below). This additional build-up may be purchased from Talius.

Choice of Height Combinations:



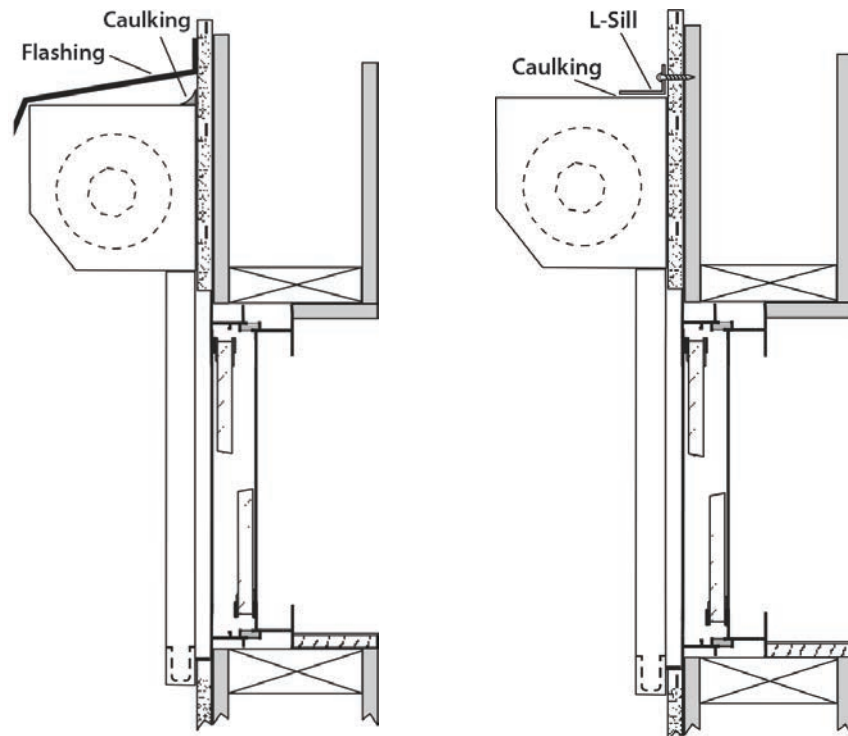
ⓘ The PRO guide rails already incorporate aluminum build-up of 1/4" (6.5 mm) and the backs of these rails are not in line with the panel box.



Section 2 (Continued)

2.1b) Between Jamb, Under Lintel Mounting

If the Habitat Screen will be installed inside an opening rather than on a surface, hold the unit inside the opening and determine its fit. The prime concern will be to ensure that the Habitat Screen is level, plum and true. Many openings are not true and level so it may be necessary to fill any gaps with wood shims or alternative filler materials.

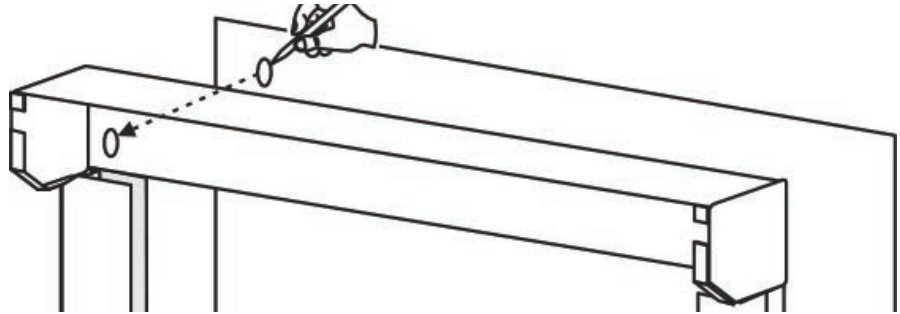


For some face of wall applications we suggest flashing to prevent water build-up behind the Habitat Screen™. Talius does not supply traditional flashing material but L-sill can be used in its place if needed

Section 3

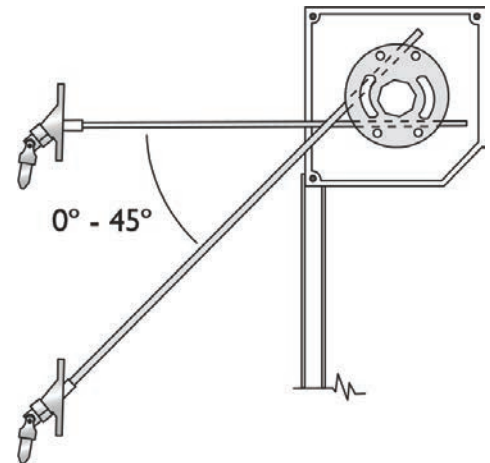
PREPARATION FOR THROUGH-WALL OPERATOR APPLICATIONS

In this section, determine how the operator exits the Habitat Screen and interacts with the surrounding wall. If the operator does not penetrate a wall, ignore this section. Refer to the applicable type of operator.



3.1a) Crank Rod Operator with Gear or Manual Override Motor

If the connector rod of the universal will travel through a wall, look for an exit hole of approximately $\text{Ø}3/4''$ ($\text{Ø}19\text{mm}$) diameter in one of the corners in the lower or middle back of the panel box. Hold the panel box and rails against the opening and mark the location of the hole on the opening. Then insert the connector rod and universal through the back of the panel box into the gear and note the pitch of the rod. The pitch will often be somewhere between horizontal to 45° downward. Do not secure the panel box to the wall at this time, this will be done in Section 5.



On the marked location, drill a pilot hole of approximately $\text{Ø}3/8''$ ($\text{Ø}10\text{mm}$) in diameter through the wall being sure to follow the same pitch as observed above. Have a helper safely hold a piece of wood over the location the hole will exit the interior wall. This will help maintain a clean finish to the hole on the interior wall. The drilling must be performed at the pitch that was previously determined. Once the pilot hole is satisfactory, increase the diameter to $\text{Ø}1/2''$ ($\text{Ø}13\text{mm}$). The hole must be straight and allow no side-to-side movement.

3.1b) Motorized Operator

An exit hole for the power cable of approximately $\text{Ø}3/4''$ ($\text{Ø}19\text{mm}$) diameter will need to be drilled in one of the back corners of the panel box. The hole is not drilled at the factory because of site variation. Remove the lid and look for the motor side. Proceed to drill a hole of desired size and location within the panel box endplate. Hold the panel box and rails against the opening and mark the location of the hole on the opening. An electrician should cover any cable exiting the panel box with a sleeve to prevent cutting of the wires by the endplate. On the marked location the electrician will drill a hole of approximately $\text{Ø}3/8''$ ($\text{Ø}10\text{mm}$) diameter horizontally through the outer layer of the wall. The electrician will later run the wires through the inside of the wall into the hole at the back of the panel box. The hole in the wall should be located where the endplate of the panel box will be installed. This allows an area of $7/8''$ wide (from extreme outside of panel box) x $5''$ tall from top of guide rail for this hole to be contained within.

Section 4

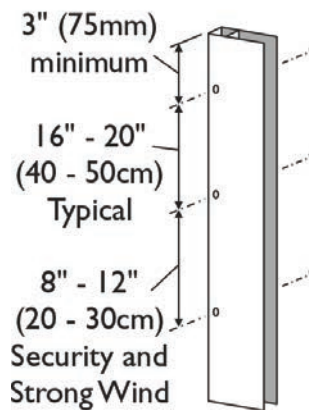
PRE-DRILLING GUIDE RAILS

Talius will pre-drill rails upon request by the Dealer ordering the Habitat Screen.

If you have ordered your rails with pre-drilling, by-pass this section.

4.1a) Face of Wall Applications

The guide rails are the main supports that hold up a Habitat Screen unit and will later need to be fastened securely. When drilling through two layers of aluminum, the hole through the outer layer must be $\text{Ø}8.5\text{mm}$ ($\text{Ø}11/32''$) precisely for the screw caps, or $\text{Ø}10\text{mm}$ ($\text{Ø}3/8''$) for screw caps for security or high-wind applications. The hole through the inner layer should be approximately $\text{Ø}5\text{mm}$ ($\text{Ø}3/16''$). If there are many holes to drill the factory can supply, at reasonable cost, a step drill bit that drills both holes in one step. Normally the holes should be spaced no more than 14" (approx.. 35cm) apart. Ensure that the first and last holes are no closer than 3" (75mm) to either end of the guide rail.



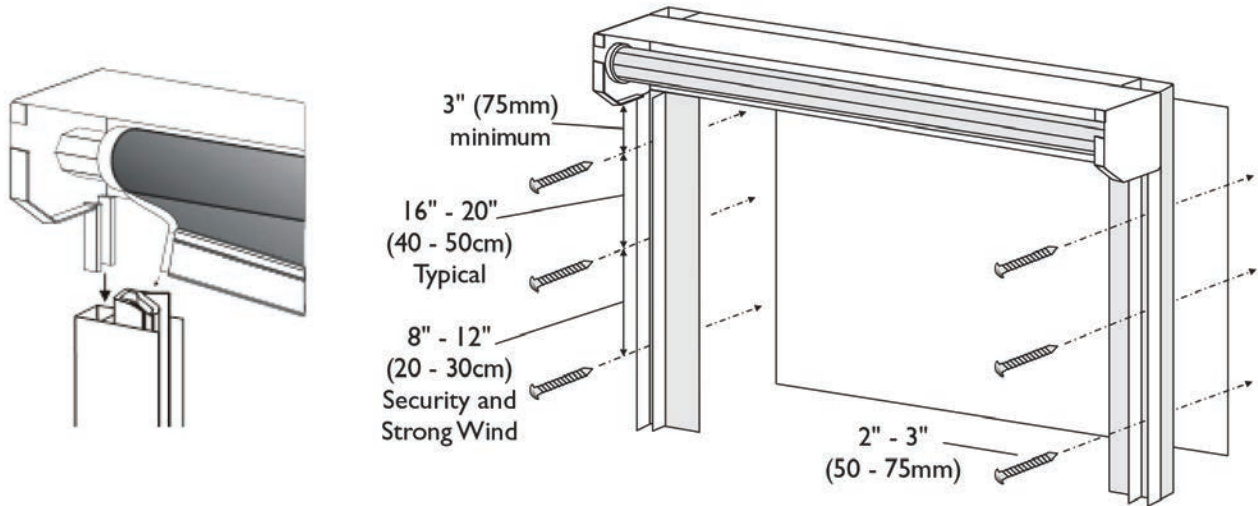
4.1b) Between Jamb Mount Applications

Guide rails will not be pre-drilled unless your unit has rails that will be recessed into a post and fastened through channel and you have requested this at time of ordering. Other options include mounting through L-build up, L-sill, or 7/8" build up. If your application has recessed rails, the rails can be drilled through channel at the factory. The edge retention insert will need to be removed to secure the rails in place. Remove the screw located at the bottom of each guide rail and slide the retention insert out of the guide rail. Once the guide rails have been mounted into the post, the retention insert can be reinstalled by pressing it into the guide rail through the channel. We suggest using a putty knife to ensure the retention insert is fully engaged in the guide rail. Reinstall the screws at the bottom of each guide rail that fasten the retention insert to the guide rail. Like the guide rails, the 7/8" Build-Up can be pre-drilled through the side should you wish to use this method for fastening the unit between jamb. This can either be done at site or requested from the factory.

Section 5

MOUNTING RAILS AND PANEL BOX

In this section the framework will be attached to the opening. **Note for this section, the panel box will need to be fitted into the guide rails when it is lifted into place.**



- 5.1) Slide the panel box endplate legs into the guide rails. As you do this, insert the zippered edges of the curtain into the retention insert
- 5.2) Lift the unit into place being careful to support both the panel box and guide rails to ensure you do not break the leg of the end plate. Position and hold the unit over the opening where you wish it to be located. Install the top screw in one of the guide rails. Using a 4' level and ensuring the bubble is perfectly centered between the lines, level the box and shaft and install the screw into the top hole of the opposite guide rail. Again, using the level to ensure the rail is plumb, install a screw first in the bottom of one guide rail before installing the remainder of screws in this guide rail. Before continuing to install the second rail, measure to ensure that the width of the opening between the rails is the same distance at the top, middle, and bottom of the rails. In the case of between jamb installations, you may have to shim the guide rails to get them plumb and parallel from top to bottom.

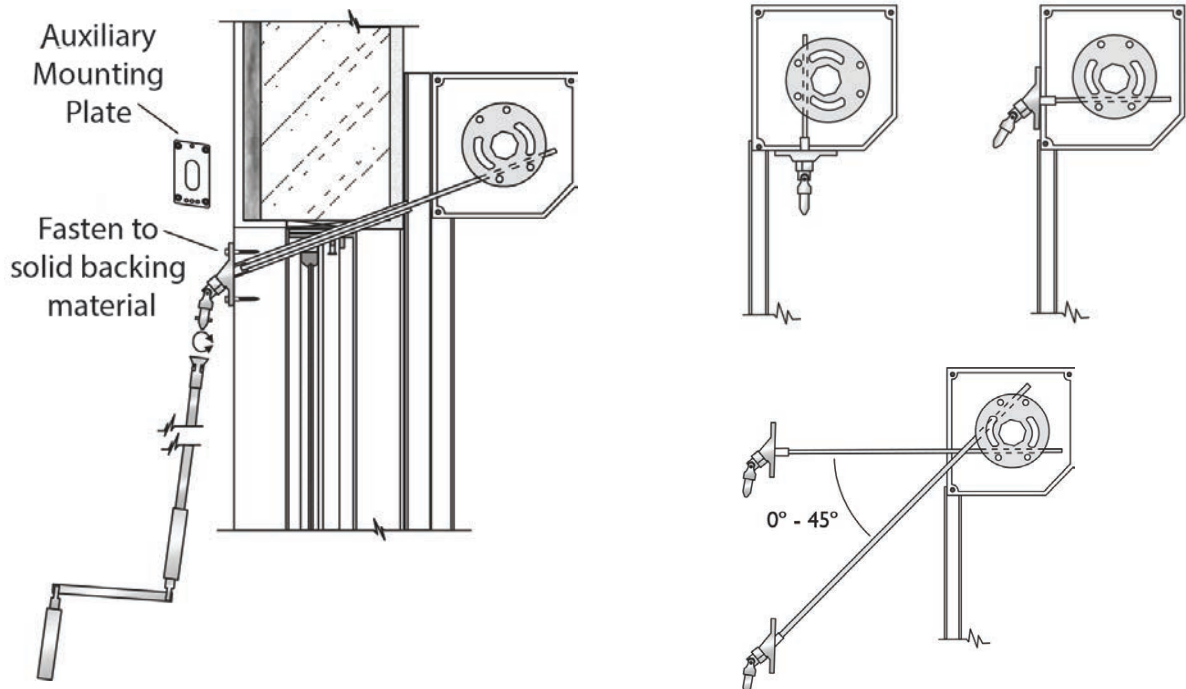
Section 6

INSTALLING THE OPERATOR

6.1a) Crank Rod Operator

If the operator runs through a wall, insert the universal with the connector through the hole in the wall and ensure that the square connector inserts into the matching slot inside the gear. The connector will be too long. Determine the excess length, remove the universal and cut it down to size with a hacksaw. Reinsert the cut-down connector and attach the universal with fasteners long enough to penetrate solid backing material. In some cases, at the request of the dealer, the factory will also supply an auxiliary mounting plate to be placed underneath the universal joint to provide a stronger mounting base. This is a common point of failure if a secure fastening is not accomplished in the initial install.

If the operator does not run through a wall the universal joint will be attached directly to the panel box in a similar manner. Most often the factory has already performed this.



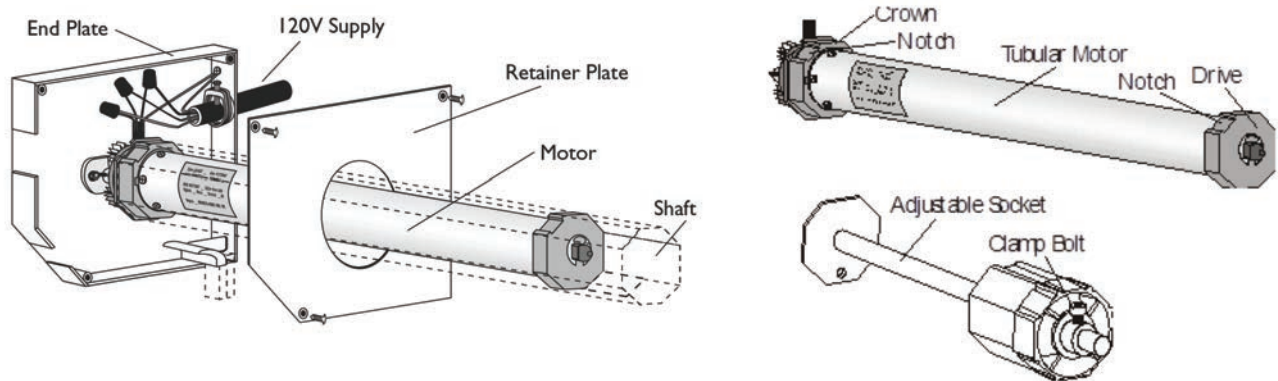
Attach the crank rod. Crank rods are supplied in standard lengths of 68 ¼" and may be cut down to a comfortable size. There are two styles of crank rod. The removable crank rod has a bell connector and can be slipped on and off the pin of the universal at any time. The attached crank rod is slipped onto the pin of the universal and attached permanently with the supplied pin and collar. Attach the crank rod holder onto the wall. The holder keeps the rod in place when not being used. If the crank was attached to a motor with manual override, proceed to Section 8.

Section 6 (Continued)

6.1b) Motor Operator

Important Notes

Most tubular Habitat Screen motors operate on a voltage of 120 Volts AC. In all States and Provinces, regulations require that certified electricians perform all electrical hook-ups. The manufacturer strongly recommends that all regulations be obeyed. Motorized units can be ordered with a variety of control systems. Wiring diagrams are available upon request. Under no circumstances should the electrician deviate from the manufacturers wiring diagrams and change items or hook-up patterns. Never use any electrical components that were not supplied by the manufacturer. Never connect wires of two or more tubular motors together, unless specifically instructed on certain motor types. Tubular motors are highly specialized units with custom designed switching mechanisms. Even simple looking items are specifically designed for these units. **Any changes will almost certainly result in catastrophic damage!** Over the years we have seen motorized units damaged by electricians who believed they comprehended the principles behind tubular motors. It is very tempting to see a simple design in the motor configuration but this is wrong. The description supplied with this job does not contain enough information to explain the intricacies of a tubular motor and it cannot be deduced from the components! Finally, it is essential that each Habitat Screen dealer own a set of motor tester cables which can be obtained from the factory.



If the panel box endplate is fitted with a metal retainer plate, slide the retainer plate away to allow for clear access to the motor. If the Habitat screen has been outfitted with a Standard Limit motor, tester cables are best used for adjusting the limits or stop points. Hook up the tester cables by matching the colour coded clamps to the coloured wire ends. If a tester cable is not available have the electrician hook up the motor to the switching mechanism as outlined in the wiring diagram. If a Radio Frequency motor is used, temporary or permanent power will have to be connected to the motor. From this point on in the installation it is imperative that the motor is located fully inside the shaft. Ensure that the crown is securely located between the notch in the motor's drum and the shaft. The shaft must be secured so that it cannot slide sideways, which requires that the clamp bolt on the adjustable socket, if so outfitted, is screwed tight while pushing the socket against the end of the shaft.

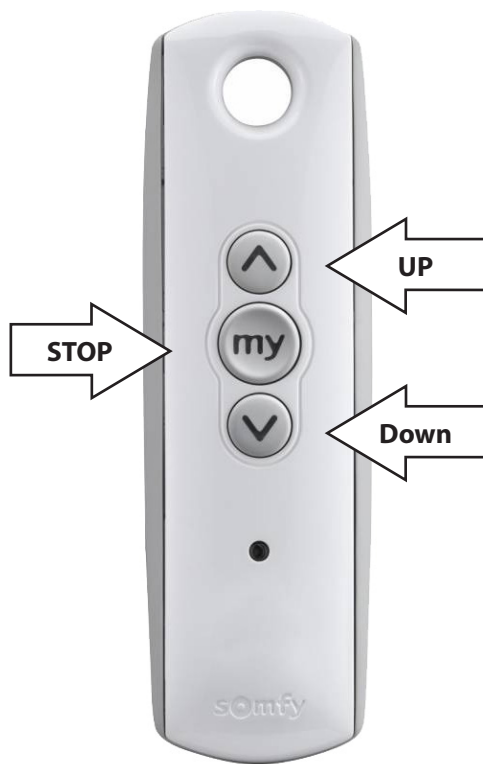
Section 7

LIMIT SETTING FOR MOTORIZED OPERATORS

This section shows the limit switch adjustment for motorized Habitat Screens™. If your unit is manually operated proceed to the next section.

7.1 a) Somfy RTS Motors

When you receive your Habitat Screen with a Somfy RTS motor the unit will come with a pre-program transmitter in user mode. To adjust the limits follow the simple steps below. If you have a multi-channel transmitter, select the channel corresponding to the unit that you are adjusting and follow these steps. Which unit corresponds to which channel is chosen at the time of ordering. If you have more than one unit on a single channel, power must be disconnected to additional units so that only the unit being adjusted has power. After isolating a single unit, preform the limit adjustment steps below and repeat for each unit.



Telis 1 & 4



Decoflex 1 & 5

Step One: Adjusting the Upper Limit

- Move the motor to its current upper limit position and let it stop
- Press the **UP** and **DOWN** buttons simultaneously on the transmitter until the motor jogs, then release
- Adjust to a new upper limit position
- Press the **STOP** button until the motor jogs, then release
- Check that the limit is in the desired position

Step Two: Adjusting the Lower Limit

- Move the motor to its current lower limit position and let it stop
- Press the **UP** and **DOWN** buttons simultaneously on the transmitter until the motor jogs, then release
- Adjust to a new lower limit position
- Press the **STOP** button until the motor jogs, then release
- Check that the limit is in the desired position

Section 7 (Continued)

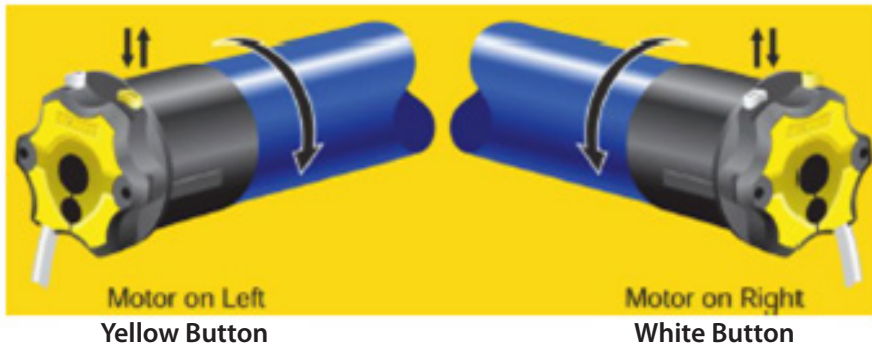
7.1 b) Standard Limit Motors

General: Electrical Habitat Screen units are operated by tubular motors housed inside the unit's shaft at one end. The motor can be located by looking for the wires leading to the Habitat Screen unit. Each motor has two internal limit switches. The function of the "upper" limit switch is to cut off power to the motor when the unit has reached the completely rolled-up position. The function of the "lower" limit switch is to cut off power to the motor when the unit has reached the completely rolled-down position. Since every Habitat Screen unit is different it is necessary to adjust the limit switches according to the following instructions.

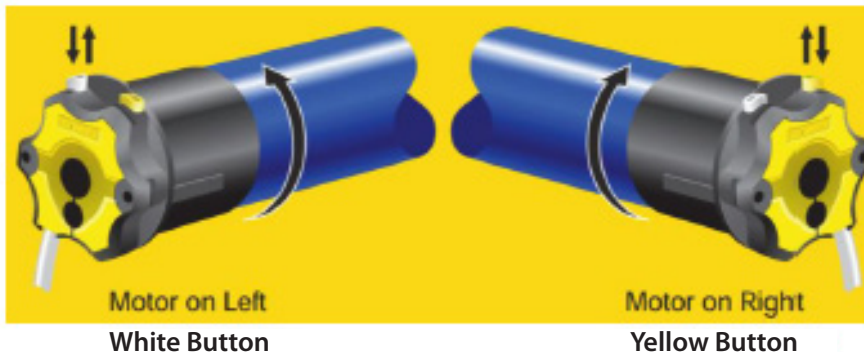
Limit Setting Instructions Steps

1. Locate the Limit adjustment buttons on the head of the motor. (see diagrams below)
2. Using the tester cables or switch, operate the unit up until curtain stops at the temporary **UP** limit (set by Talius).
3. Unlock the **UP** limit switch on the motor by pressing the appropriate button down and releasing it. The button will stay pressed in.
4. Run curtain up to new desired **UP** limit and stop.
5. Press down and release the button again so that the button pops up. This will lock in the new **UP** limit position.
6. Run unit downwards until curtain stops at the **DOWN** limit (set by Talius) and adjust if necessary using the other limit adjustment button.
7. Unlock the **DOWN** limit switch on the motor by pressing the appropriate button down and releasing it. The button will stay pressed in.
8. Run curtain down to new desired **DOWN** limit and stop.
9. Press down and release the button again so that the button pops up. This will lock in the new **DOWN** limit position.
10. Test unit to ensure the unit stops automatically where you wish it to.

**UP
LIMIT**

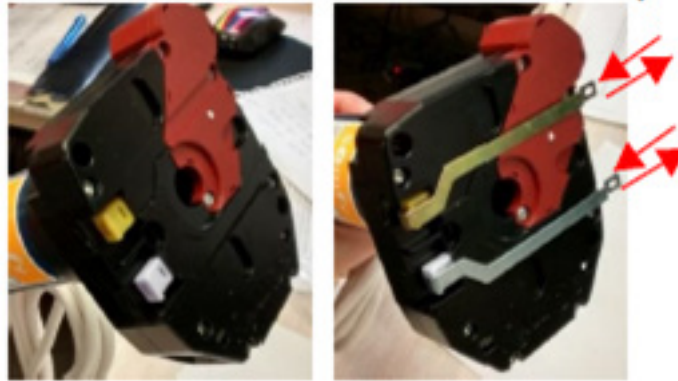


**DOWN
LIMIT**



Section 7 • 7.1b (Continued)

Occasionally, the limit adjustment buttons are hidden on the back side of the motor from the installer. This sometimes must happen in order to locate the Manual override where the customer desires it to be. In these cases, Talius supplies metal brackets in which tabs are accessible to press and release the limit buttons as necessary. In these cases, you are pulling and releasing. The tabs are labeled “UP” and “DOWN” on the inside of the endplate for quick identification.



* image of limit brackets

7.2) General Notes for all Motor Types

Run the Habitat Screen up and down at least twice. Since the curtain is made of fabric, the curtain may take a few operations to fully settle into place. As such, the limits may need to be readjusted again slightly. Fabric can also have some stretch factor to it. It may be advisable to set your bottom limits slightly above the ground, sill, or floor to allow for this stretching. The limit may need to be adjusted at a later date if the curtain stretches to a point where the Bottom profile is resting on the bottom.

Common Problems and Solutions during Limit Setting for Habitat Screens™

Problem: The motor stops and will not move under any circumstances.

Explanation: The motor has overheated. The internal thermal protection switch has cut off power and will restore it automatically in 10 to 45 minutes, depending on the surrounding temperature. Motors are designed to run for short intervals only. During limit switch adjustments they tend to be operated almost continuously and can overheat. The motor is not harmed by being overheated. While waiting for the reset make sure that power to the motor has been shut off, or it may reactivate unexpectedly.

Problem: The limit switch stops the motor at a markedly different position (more than 1" or 25mm difference) every time it is checked. Trying to adjust it seems not to help. Sometimes it appears to be in order but a few days later the customer reports that it has moved again.

Explanation: The limit switch was slightly damaged during initial adjustment most commonly due to incorrect wiring. This problem will get worse with time. Eventually the limit will be lost altogether. The motor needs to be replaced. Contact the factory.

Problem: The Habitat Screen™ comes to a stop at the upper limit. Soon afterwards the click that the unit normally makes when it shuts off is heard, once or several times.

Explanation: A faulty brake in the motor lets the Habitat Screen™ slide down slightly, almost unnoticeably. The limit switch eventually gets released and supplies the motor with power, provided the tester cable or switching mechanism has remained switched in the “up” direction. The motor runs up momentarily until the limit switch cuts off power again. Then the cycle repeats. Contact the factory and request a new motor.

Section 7 • 7.2 (Continued)

Problem: The motor makes a grinding sound and/or it chatters when it reaches either of its limits.

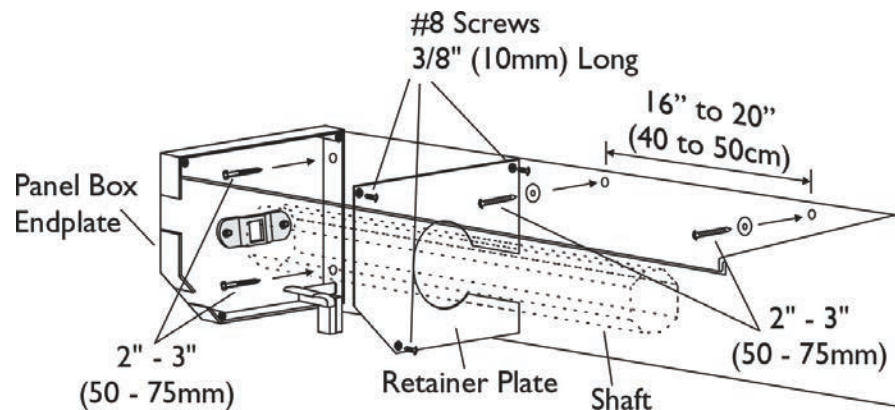
Explanation: This is the case when the installation includes more than one motor connected to one switching mechanism and where the motors have been wired in parallel. Usually motors connected to one switch will experience capacitor feedback, unless the motors were specially designed for this type of hook-up and the hook-up is shown in the wiring diagram. Cut all power immediately. Hook up only one motor to one switching mechanism. Try again with the correct hook-up and verify that motors run properly now.

Note that it is quite probable that the limit switches and/or capacitors in the motors were damaged due to the initial faulty hook-up. Notify the factory of the incident and discuss the problem. In any case it is likely that these motors will fail in the future either by not running at all or losing one or both of their limit switches. Without limits, the customer may experience catastrophic destruction of the Habitat Screen™ units as the motors turn indefinitely. It is highly advisable to exchange the motors now in order to avoid very costly repairs later.

Section 8

SECURING THE PANEL BOX

- 8.1) With the screen curtain at it's lowest point, securely fasten the panel box to the mounting surface. Remove the screws holding the retainer plate to the endplate. Slide the retainer plate inwards along the shaft, out of the way. Pre-drill at least one hole in the top back corner of each end plate. Make sure to align with a matching hole in the mounting surface if necessary, such as a masonry anchor in the case of a concrete wall. Secure each end plate with at least one 2" - 3" (50 - 76mm) long screw, dependent upon what is suitable for the mounting surface. For units in high wind installations, use two fasteners per end plate as shown. Do not over-tighten the screws to avoid any cracking of the die cast end plates. Should a crack be discovered, a replacement end plate must be installed. Secure the panel box top with screws spaced 16" - 20" (40 - 50cm) along the top corner. To avoid the possibility of tearing through the sheet aluminum, each screw hole should be reinforced with a large flat washer. Reinstall the retainer plate prior to further unit operation. Fastening of the Panel Box is critical as the unit could potentially fall from the wall otherwise.



Section 9

OPERATION AND ADJUSTMENT

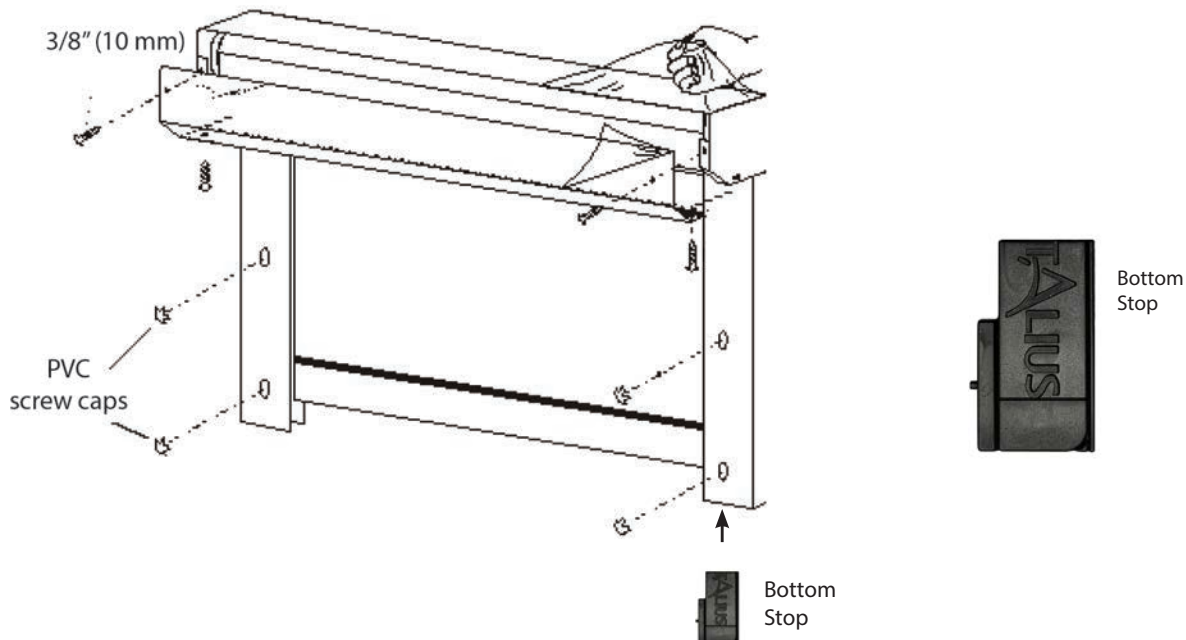
- 9.1) The Habitat Screen is mounted on a $\text{Ø}3 \frac{3}{8}$ " ($\text{Ø}85\text{mm}$) steel shaft that is free to slide horizontally over top of the drive shaft. This permits the Habitat Screen to track side-to-side and find its best operating position. Roll the Habitat Screen up and down a few times. This will allow the curtain and zippered edges to adjust in their tracking and achieve proper alignment and tension on the roll. If the zippered edge is tracking too far one way or the other and causing issues during the initial set up, again ensure the box and rails are level and plumb. Stop the unit and adjust the curtain and shaft side to side as necessary to achieve proper alignment. Once you have operated the unit all the way down with out issues and set the limits of the motor if necessary, operate the unit fully up and fully down a few times being careful not to overheat the motor. If the motor overheats, you may have to allow a cooling period before the motor will operate again.

If the Bottom Profile hangs up between the tracks during operation, loosen the guide rails and adjust the rails in or out to allow for free movement of the bottom profile and curtain.

Section 10

FINISHING

- 10.1) Pull off the protective film from the panel box top and bottom and other parts that may be covered. Slip the lip of the panel box lid into the corresponding groove of the panel box top and attach it with the supplied screws. If space requirements do not permit the use of all four screws, choose either only the two lower ones or the two upper ones.
- 10.2) PVC Screw Caps: Insert the PVC screw caps over the mounting holes in the guide rails or the 7/8" build up depending on the mounting method
- 10.3) Bottom Stops: For specific Habitat Screen applications, install a bottom stop into each guide rail.
- 10.3) Caulking: Caulking around the top of the panel box and guild rails will help to prevent water from penetrating behind the Habitat Screen and to ensure a clean finished appearance.
- 10.4) Wipe clean as necessary.



Installation is now complete!

Every installation is different and there may be some questions. Do not hesitate to call us from site for support, 1-800-665-5550. A properly installed Habitat Screen™ will operate trouble-free for many years to come.

Warranty Registration

Please have your customer visit www.talius.com to register their warranty. They will receive a complete warranty copy via email after registering. If preferred, the Talius Dealer can register the warranty on the customer's behalf.

Appendix A

HABITAT SCREEN ADJUSTMENT GUIDE

The following are recommendations on how to address screen performance issues and what to look for.

Screen Coming Out of the Guide Rails

1. Remove panel box bottom
2. Check the gap of the retention inserts with feeler gauges that can be purchased at any automotive parts supply store. The gap should be 0.035" to 0.040". (or about 0.9mm to 1.0mm)
3. Check to ensure the shaft is centered and that the zipper of the screen runs straight into the retention insert, with a visual inspection. Adjust as necessary by moving the shaft from side to side by hand.
4. Check to ensure the shaft is perfectly level, by placing a 4' level on the shaft.
5. Check the A1 width against that which was ordered, in 3 places – top, middle and bottom.
6. Check to ensure the rail spacing is correct, true and plumb from top to bottom.
7. Check to ensure the rails are not twisted from installation. A straight edge or level can be placed against the face of the rails looking for gaps between the straight edge and the rail. Use shims behind fastening points where necessary. To ensure fasteners are not over-tightened, please use the clutch on your drill.
8. If the guide rail height has been trimmed on site, please ensure the black retention inserts extend 1" above the top of the guide rail and that they have a "v" groove at the top, as per factory spec.
9. Run screen up to top stop point and manually guide the zipper into the retention insert on both sides. Please note that the panel box may have to be lifted upwards slightly to allow sufficient room for maneuvering the bottom profile into position. As such, any fasteners holding the box to the wall will have to be removed.
10. Check to see if the fabric is tracking properly, by operating the screen down and watching the behavior of the fabric on the shaft.
 - a. If the zipper comes out of the black retention insert at the top (the zipper entry point into the retention insert) as the unit operates down, stop the unit and raise the screen to a point just before the zipper comes out. Adjust the shaft side to side, such that the zipper will not come out of the rail. If the zipper pulls out on one side, tap the shaft towards that side, with a rubber mallet.
 - b. Continue with a downward operation and repeat the above process as necessary until the entire screen zipper is held within the retention insert.
 - c. Cycle the unit through a few complete up/down operations to ensure the screen no longer comes out of the rails.

NEED SUPPORT?

If you are not able to resolve the performance issue, contact Talius' Inside Sales team for support at 1-800-665-5550.

Please be sure to provide them with:

- The order tag name and if this is an initial install or return visit to site.
- Please provide pictures or video, wherever possible, to help describe the problem. Picture or video should be a close up view focused on the shaft and zipper at the point of entry into the black retention insert, as well as shots from a distance of the complete unit.

Screen Hanging up in the Guide Rails

1. Remove panel box bottom.
2. Check operator to ensure it isn't the reason the screen is stopping. Does the shaft continue to rotate after the screen stops? If the shaft does not continue to rotate, adjust the operator as necessary – motor limits, check power, engage crank rod etc.
3. Check the gap of the retention inserts with feeler gauges that can be purchased at any automotive parts supply store. The gap should be 0.035" to 0.040". (or about 0.9mm to 1.0mm)
4. Check to ensure the shaft is centered and that the zipper of the screen runs straight into the retention insert, with a visual inspection. Adjust as necessary by moving the shaft from side to side by hand.
5. Check to ensure the shaft is perfectly level, by placing a 4' level on the shaft.
6. Ensure no mounting fasteners are installed through the guide rail channel. L-build is required for all between jamb applications.
7. Check the A1 width against that which was ordered, in 3 places – top, middle and bottom and ensure there is free play in the bottom profile from side to side.
8. Check to ensure the rail spacing is correct, true and plumb from top to bottom.
9. Check to ensure the rails are not twisted from installation. A straight edge or level can be placed against the face of the rails looking for gaps between the straight edge and the rail. Use shims behind fastening points where necessary. To ensure fasteners are not overtightened, please use the clutch on your drill.
10. If this is to service an older installation: clean out the retention inserts to ensure they are not plugged up with debris. Use 100grit sandpaper folded over on itself to clean out the insert.
11. Once the source of the problem has been identified and resolved, operate the unit top to bottom to ensure smooth operation.



Do not lubricate the retention system as it is not designed for this, nor should it ever need it.

NEED SUPPORT?

If you are not able to resolve the performance issue, contact Talius' Inside Sales team for support at 1-800-665-5550.

Please be sure to provide them with:

- The order tag name and if this is an initial install or return visit to site.
- Please provide pictures or video, wherever possible, to help describe the problem. Picture or video should be a close up view focused on the shaft and zipper at the point of entry into the black retention insert, as well as shots from a distance of the complete unit.

TALIU[®]S



HEAD OFFICE/MANUFACTURING FACILITY

PO Box 3279, 5501 - 46 Ave SE

Salmon Arm, BC, Canada V1E 4S1

TEL 250.832.7777 ■ FAX 250.832.8577

TOLL FREE 800.665.5550

EMAIL info@talius.com

VANCOUVER BRANCH OFFICE

#4, 200 Golden Drive

Coquitlam, BC, Canada V3K 6M8

TEL 604.468.7655 ■ FAX 604.468.7656

EMAIL taliusvancouver@talius.com